



About us

Masfic is technology applied to your business!

Since 2011, Masfic has been innovating inside the market of tools for drilling brake linings. We bring excellence in quality and international technology for every drill bit fabricated. Located in the expressive south-Brazilian industrial pole, the city of Caxias do Sul, we construct our products utilizing the best equipment, with high quality sharpening process.

With a focus on the production of high-performance tools, our quality sector evaluates piece by piece, which rely on a technological traceability system.

And for this, we have a team with a young look to the market and the experience and technical knowledge of decades from the business partners, positioning Masfic as the main manufacturer of tools for drilling brake linings in Brazil and in several other countries!

At Masfic, you have all the information about your order, personalized according to your needs.

You may follow each drill bit stage and see our performance transparently. Masfic is punctual, meeting all the delivery deadlines so you can have more agility for your business. If you are looking for rentable tools, which will support your production for a long time, count with Masfic! We are available to transform your way of work, with tools developed to extract the maximum of efficiency and performance in the drilling of brake linings.

Mission:

Have excellence in solutions to ensure security and quality on the mechanical and functional applications for industrial sectors with a complete service.

Vision:

Grow in the global market with exclusive products and with credibility, strengthening our technological base in the south of Brazil.

Values:

- Trust to create partnerships;
- Caution with each product manufactured;
- Quality in every process;
- Punctuality in deliveries;
- Knowledge to innovate in the market.

MASFIC

MASFIC

Brake Linings Drills

High quality developed tools, projected specially for drilling brake linings.

Nano-grain carbide/Widia (tungsten carbide) inserts specifically designed for drilling brake linings

Silver solder welding systems, controlled brazing technology that guarantees the integrity and quality of the carbide insert

Reinforced steel rod/support, ensuring greater precision and stability when drilling

Drilling in brake lining with drill Masfic

Sintered Diamond Discs

For a higher quality and more efficient lining cutting.
Ideal for applications that require high performance
and durability in continuous processes.



Diamond segments in its composition

Special granulometry developed to operate on brake linings

Diamond particles deposited by the electrolytic process

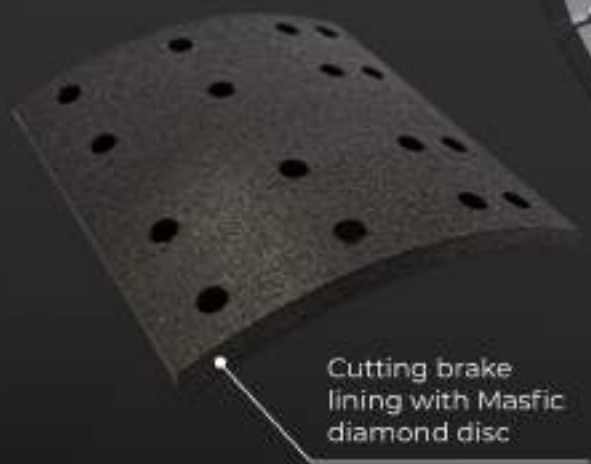
Cutting brake lining with Masfic diamond disc.

MASFIC

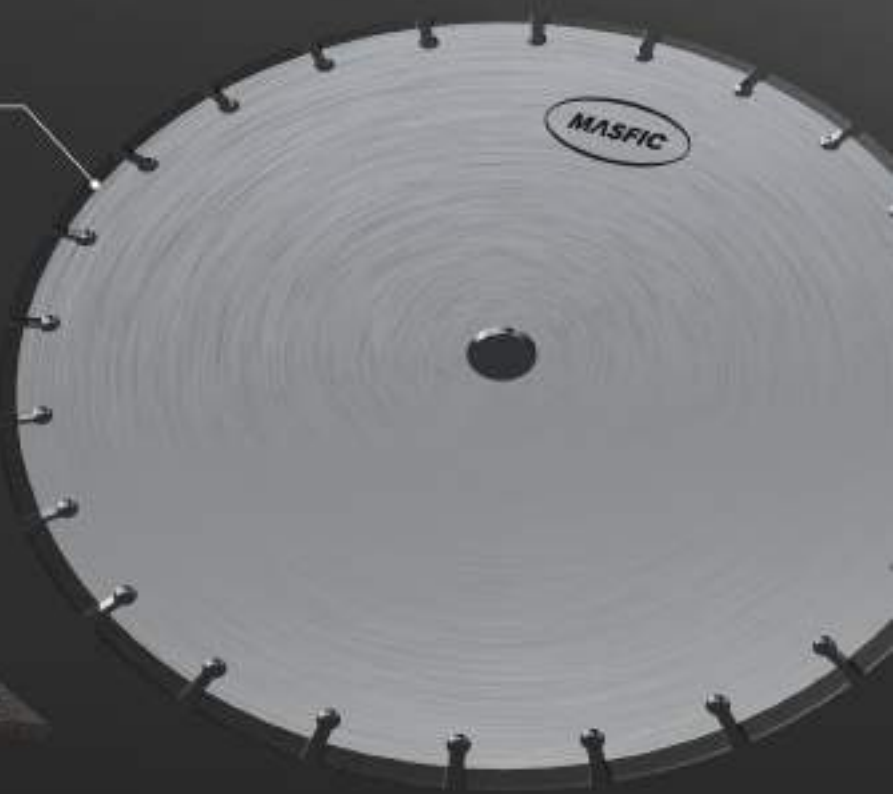
Diamond Discs - Electrolytic Process

Brake lining cuts and fillets with more technology.
Provides superior finishing and greater dimensional
control in precision operations.

Diamond particles
deposited by the
electrolytic process



Cutting brake
lining with Masfic
diamond disc

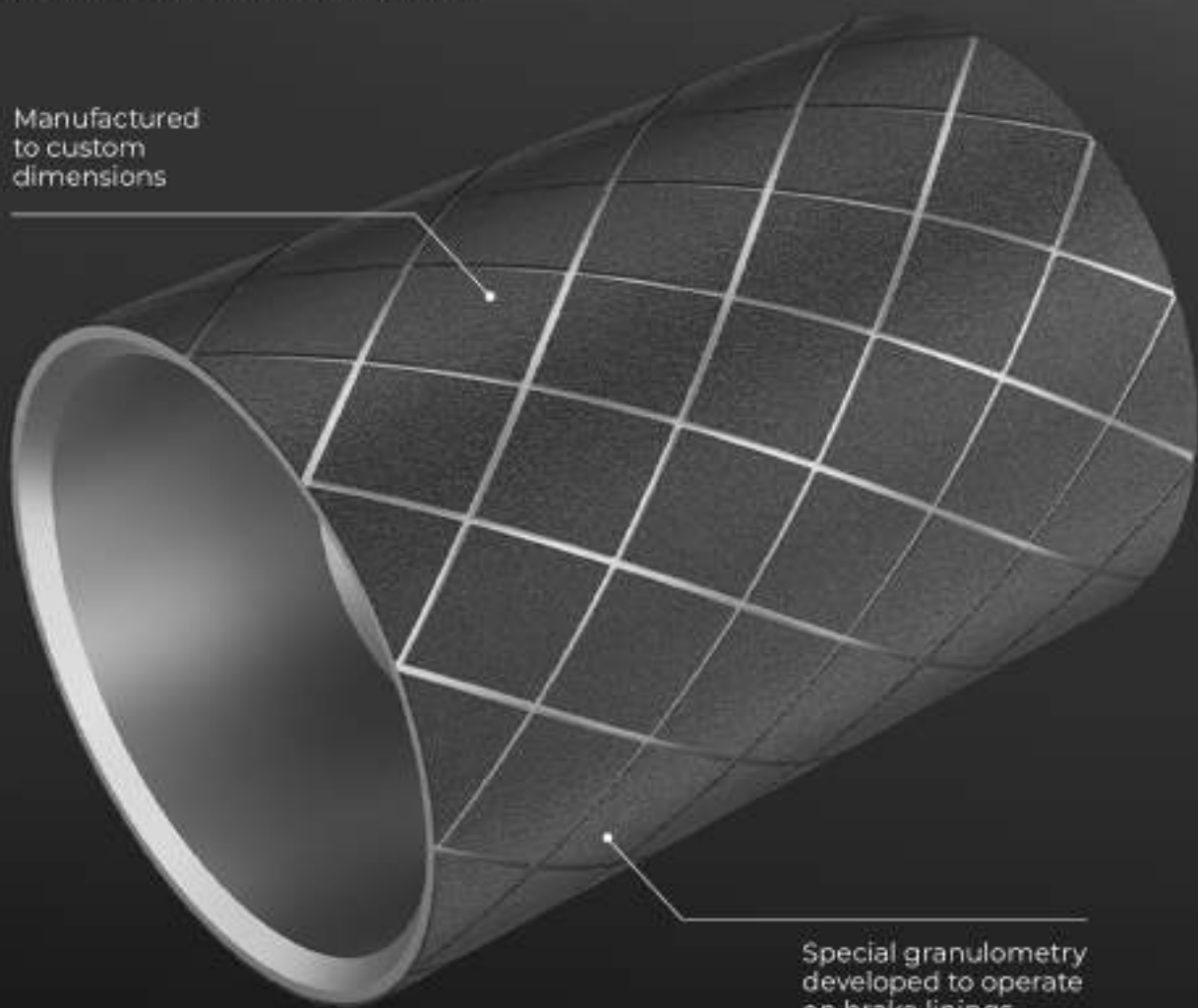


MASFIC

Diamond Grinding Wheels - Electrolytic Process

Solutions for grinding the outer face of brake linings.
Provides efficient grinding, with excellent cutting
power and longer service life.

Manufactured
to custom
dimensions



Special granulometry
developed to operate
on brake linings

Diamond Screw for Interchangeable Head

MASFIC

Discover solutions for grinding the inner face of the brake lining. Projected to guarantee secure fixing and optimized performance in technical applications.



With sintered
diamond inserts

Special granulometry
developed to operate
on brake liningso.

Standard
manufacturing

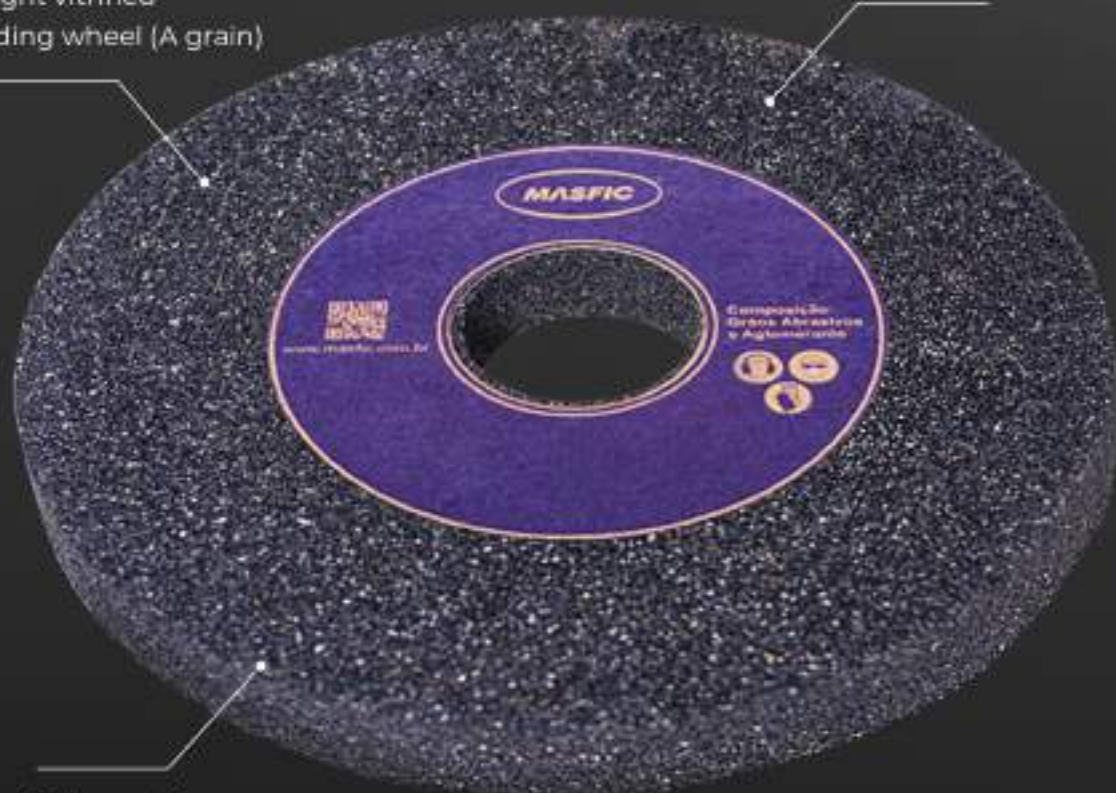
MASFIC

Straight Vitrified Grinding Wheel

For precise maintenance of your diamond grinding wheels.
Ensures stability, durability and precision in sharpening and dressing processes.

Straight vitrified grinding wheel (A grain)

Manufactured with aluminum oxide



Enhanced for grinding diamond grinding wheels

MASFIC

Sintered Diamond Grinding Wheel

Solutions for grinding the outer face of brake linings.
Provides efficient grinding, with excellent cutting
power and longer service life.

Designed to
operate on
brake linings

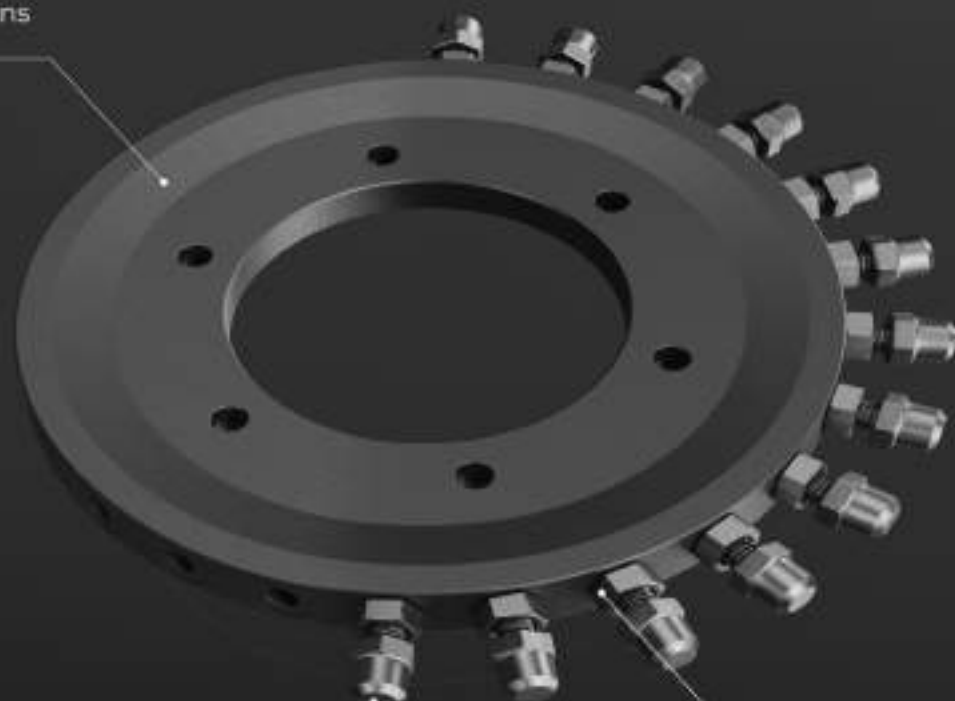
Manufactured
to custom
dimensions

Special
grain size

Interchangeable Head for Internal Grinding

Customizes your product to guarantee maximum compatibility and performance. Ideal for internal grinding processes with high precision, versatility and quick component change.

Manufactured to custom dimensions



Ensures full use of the diamond insert

Allows diameter adjustment whenever wear exceeds the tolerance of the brake lining inner radius

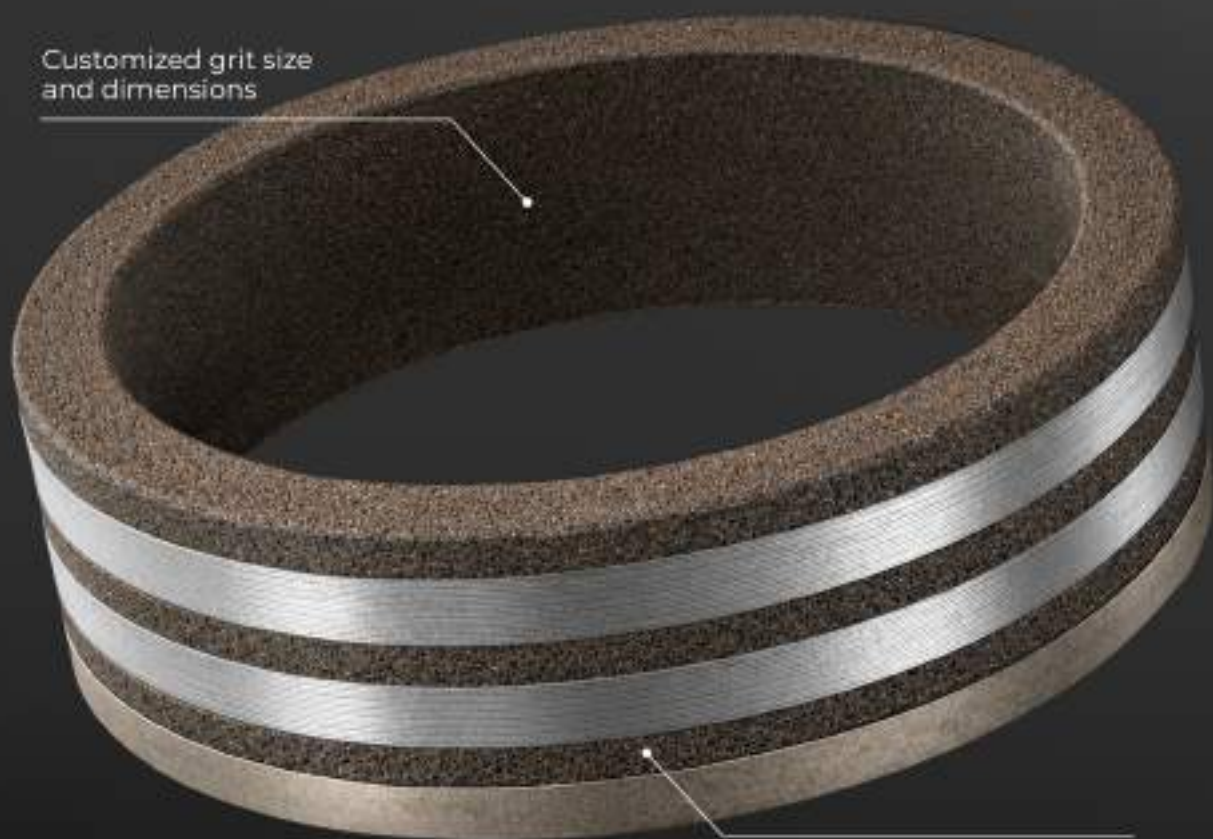
Special Grinding Wheel

MASFIC

The Masfic Special Grinding Wheel is developed for grinding and finishing brake linings, contributing to a more precise, stable, and efficient process.

With customized grit size and dimensions, this solution is manufactured according to the needs of each application, ensuring better adaptation to the production process and greater control over the final result.

Customized grit size and dimensions



Grinding and finishing of brake linings

Special Sandpapers

MASFIC

Masfic Special Sandpapers are developed for finishing brake linings, offering quality, consistency, and efficiency in industrial applications.

Manufactured with customized grit size and dimensions, they meet the specific requirements of each operation, contributing to a more uniform finish and greater reliability in the production process.

Brake lining finishing



Manufactured with customized grit size and dimensions

+55 (54) 99387.1853
+55 (54) 3025.4374

291, Cel. Camisão, Centro,
Caxias do Sul | RS | Brazil
95020-420

masfic@masfic.com.br
masfic.com.br

